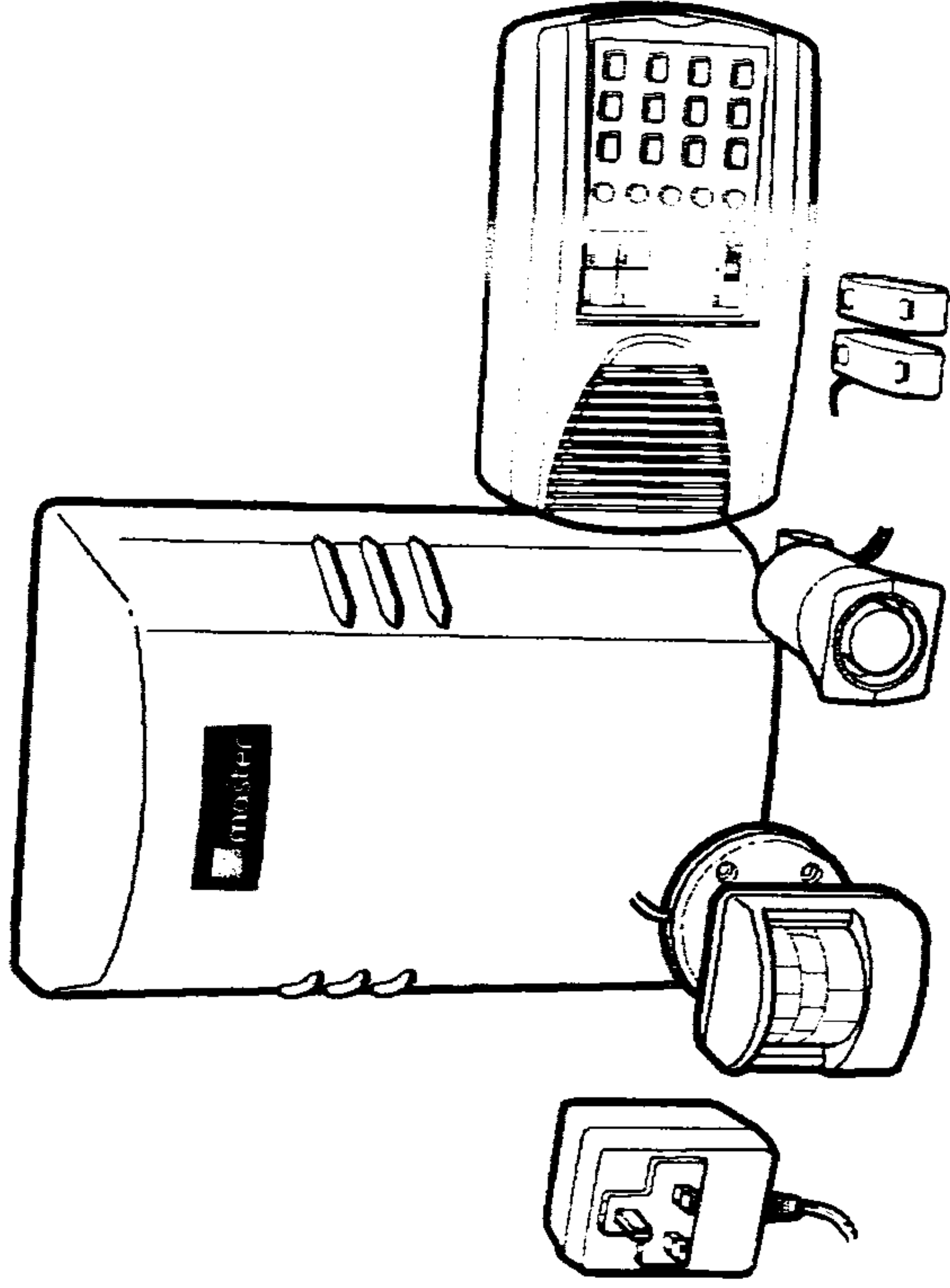




4 ZONE PRE-WIRED INTRUDER ALARM SYSTEM

Installation & Operating Instructions



IMPORTANT

Please read these instructions thoroughly before you commence work. If you follow the steps in the order shown in these instructions, the alarm system should work perfectly.

The Security Master 4 Zone Alarm can provide valuable protection for your premises.

However, the system cannot guarantee full protection against intrusion and theft, therefore the manufacturer, distributor, supplier will not be held responsible for any losses or damages, which may occur.

Please keep these instructions for future reference.



IMPORTANT

Thank you for purchasing this product.

Please read and follow these instructions carefully before use.

Helpline: 01572 723091 customerservice@tdbm.com



www.tdbm.com

CONTENTS

INTRODUCTION	3
PLANNING THE INSTALLATION	4
INSTALLATION - CONTROL PANEL & PIR SENSORS	6
INSTALLATION - MAGNETIC CONTACTS	7
INSTALLATION - SIREN & BELL BOX	8
CONNECTING THE MAINS ADAPTOR	9
TESTING THE SYSTEM	9
PROGRAMMING PROCEDURES	12

Thank you for choosing our security alarm system. This alarm is very easy to install and operate. All main components have been pre-wired making it a simple matter to install and programme the system. All you need to do is choose where you want your control box, PIR's and magnetic door contacts and fix them as outlined in these instructions.

For quick and easy installation, follow the steps in the order shown.

PACK CONTENTS

1 Control panel	x 1
2 PIR sensors (wired)	x 2
3 Magnetic contact (wired)	x 2
4 Bell box	x 1
5 Siren	x 1
6 Mains adaptor	x 1
7 Screwdriver	x 1
8 Batteries (9V)	x 2
9 Masonry drill bit	x 1

Screws and fixing supplied.

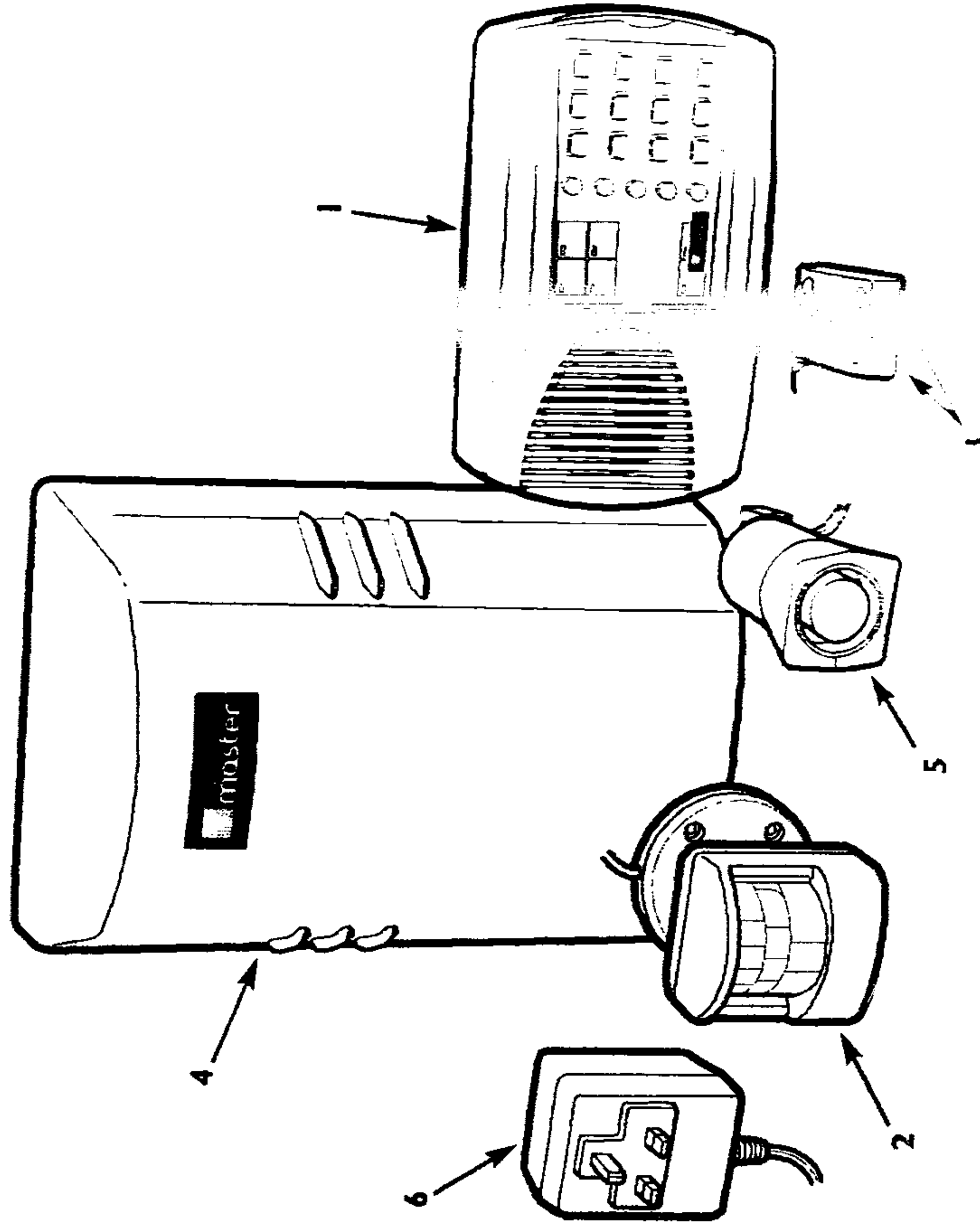
If in the unlikely event that you should find any parts missing please contact us on:

Telephone: 015 22 723091
 Fax: 015 22 70590
 E mail: customerservice@tdbm.com

INTRODUCTION

FEATURES

- Simple to install – no wiring required. All mounting accessories and cables included.
- 4 Independent zones
- Each zone can easily be activated or deactivated
- Built in alarm sound generation
- Power LED indicator
- Tamper ready LED indicator
- Individual OFF/Entry delay/Chime set up
- Panic button
- Low battery alert LED, adaptor power failure alert LED
- User Code for arm/disarm and master code for configure system
- Selectable alarm sound
- Powered by DC adaptor, 9v x 2 battery back up
- Programmable 4-digit user code and master code (up to 9,999 combinations)



PLANNING THE INSTALLATION

IMPORTANT NOTE:

For added security, the alarm system cannot be armed if any of the zones have been activated. In order to arm the alarm, all zones must be reset before arming.

- i) All doors and windows fitted with a contact must be shut.
- ii) All PIR's must not be activated. However, if you are using a PIR to cover your main control panel then you should remain still until the light on the PIR goes out. You can then carefully clear all zones and arm the alarm, making sure you do not set off the PIR.

It is recommended that once you have installed your system you advise the local authorities.

It is also recommended that a 2nd key holder is notified in case the alarm is set off. This then ensures that relevant authorities can obtain access to the house if necessary.

FACTORY DEFAULT SETTINGS

Exit Delay	30 seconds
Entry Delay	30 seconds
Alarm Shut-off Time	Continuous
User Code	1 2 3 4
Master Code	2 2 2 2
Alarm Sound	Siren Sound

PLANNING YOUR INSTALLATION

In order to provide the best possible protection for your premises, we recommend that you make a rough sketch of the areas you feel require coverage from the alarm system. Once this has been planned you can then fit the control panel, PIR's and magnetic door/window contacts and siren accordingly.

Control Panel

The control panel should be positioned not more than 2 metres from a mains AC socket (in order to run the mains adaptor cable from socket to control panel). It should be fitted near an entrance, but high enough to be out of reach of young children.

Mains Adaptor

Fit into a mains socket and into the control panel. Fitted with a 2 metre lead.

PIR Sensors

PIR sensors are best fitted on a wall at a height of at least 2.5 metres from the ground. The sensor will detect body movement up to 10 metres away. The usual position for PIR's is near a top corner of the area of detection.

PLANNING THE INSTALLATION

Magnetic Contacts

These should be fitted at entry/exit areas - exterior doors and windows.

External Siren

Fits to the outside wall of your property. Not only does the loud alarm scare off intruders and alert neighbours, the external box acts as a deterrent against intrusion in the first place. The siren and box should be placed high enough to be out of easy reach. The cable should pass through the wall or run down through a soffit in the roof.

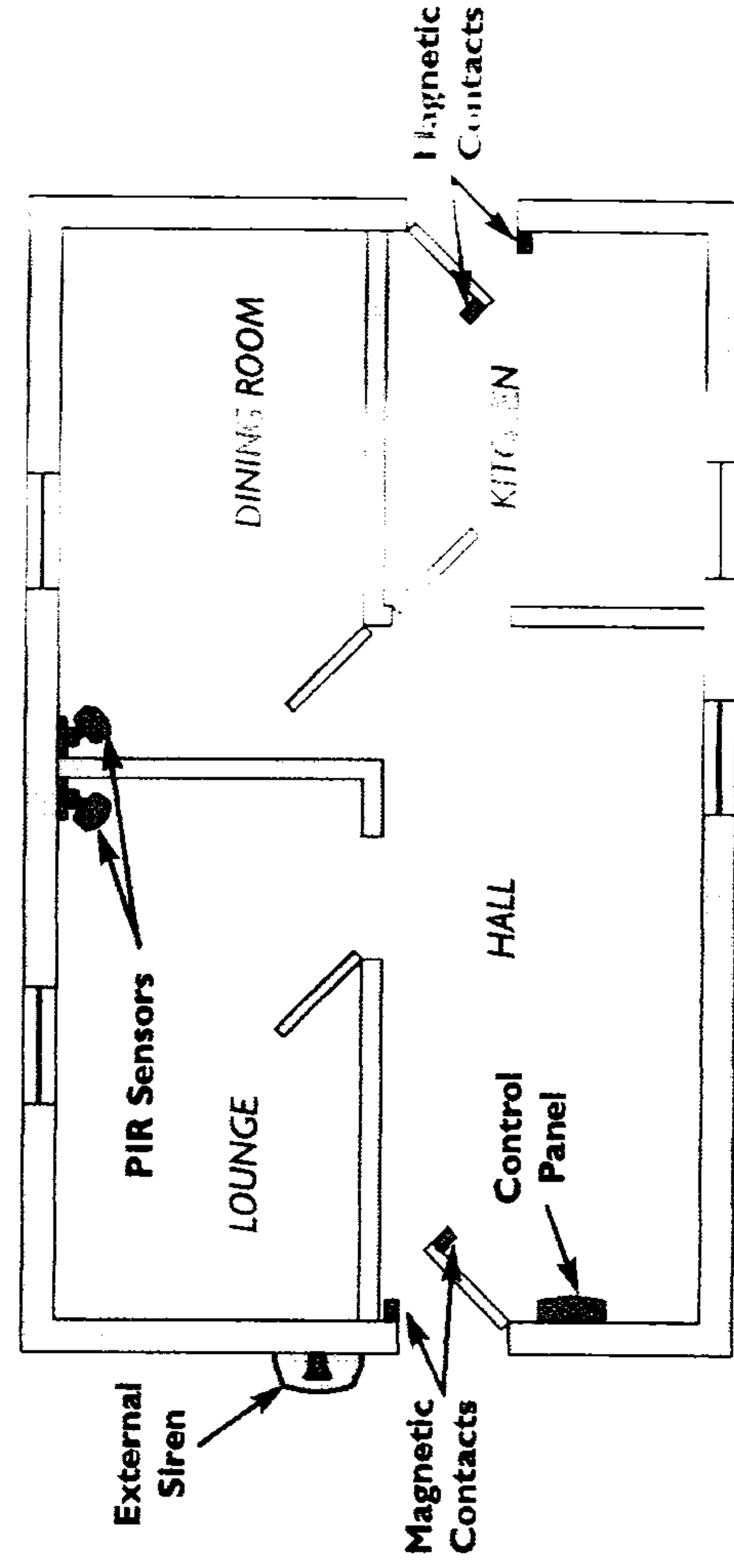


Fig. 2 Typical Installation Plan

INSTALLATION

Please read these instructions very carefully and follow the steps carefully.

FITTING THE CONTROL PANEL

Your control panel should be fitted to a wall close to your entrance, but out of reach of an electricity socket.

INSTALLATION / CONTROL PANEL & PIR SENSORS

FITTING THE CONTROL PANEL

Step 1. Remove the two securing screws from the bottom of the control panel with the screwdriver supplied and carefully separate it from the back plate.

Step 2. Disconnect the circuit board socket (2) from the back plate.

Step 3. Having selected the position for the control panel, place the back plate against the wall and mark off the drill hole positions with a pencil. Use a spirit level to ensure the back plate is level on the wall.

Step 4. Attach the back plate to the wall using the four 20mm screws (1) supplied and suitable wall plugs.

Step 5. Connect the two 9V-PP9 batteries and insert into the battery compartment. Ensure they are fitted correctly.

DO NOT replace the cover at this point.

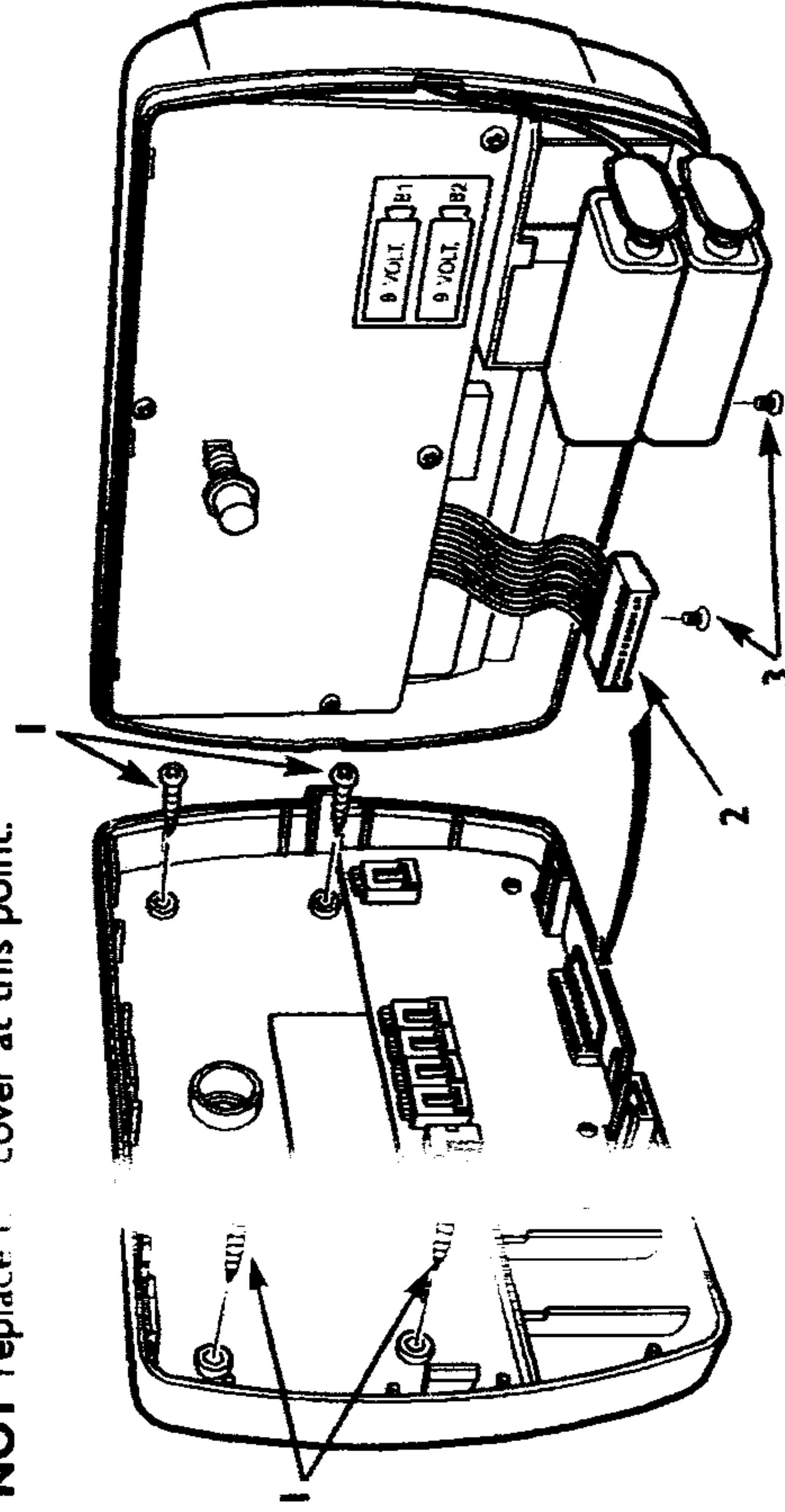


Fig. 3 Control panel installation

FITTING THE PIR SENSORS

PIR sensors are best mounted on a wall at a height of at least 2.5 metres from the ground.

The sensor will detect body movement up to 10 metres away from its usual position for PIRs is near a top corner of the room facing the area of detection (see Fig. 4 for an example of layout).

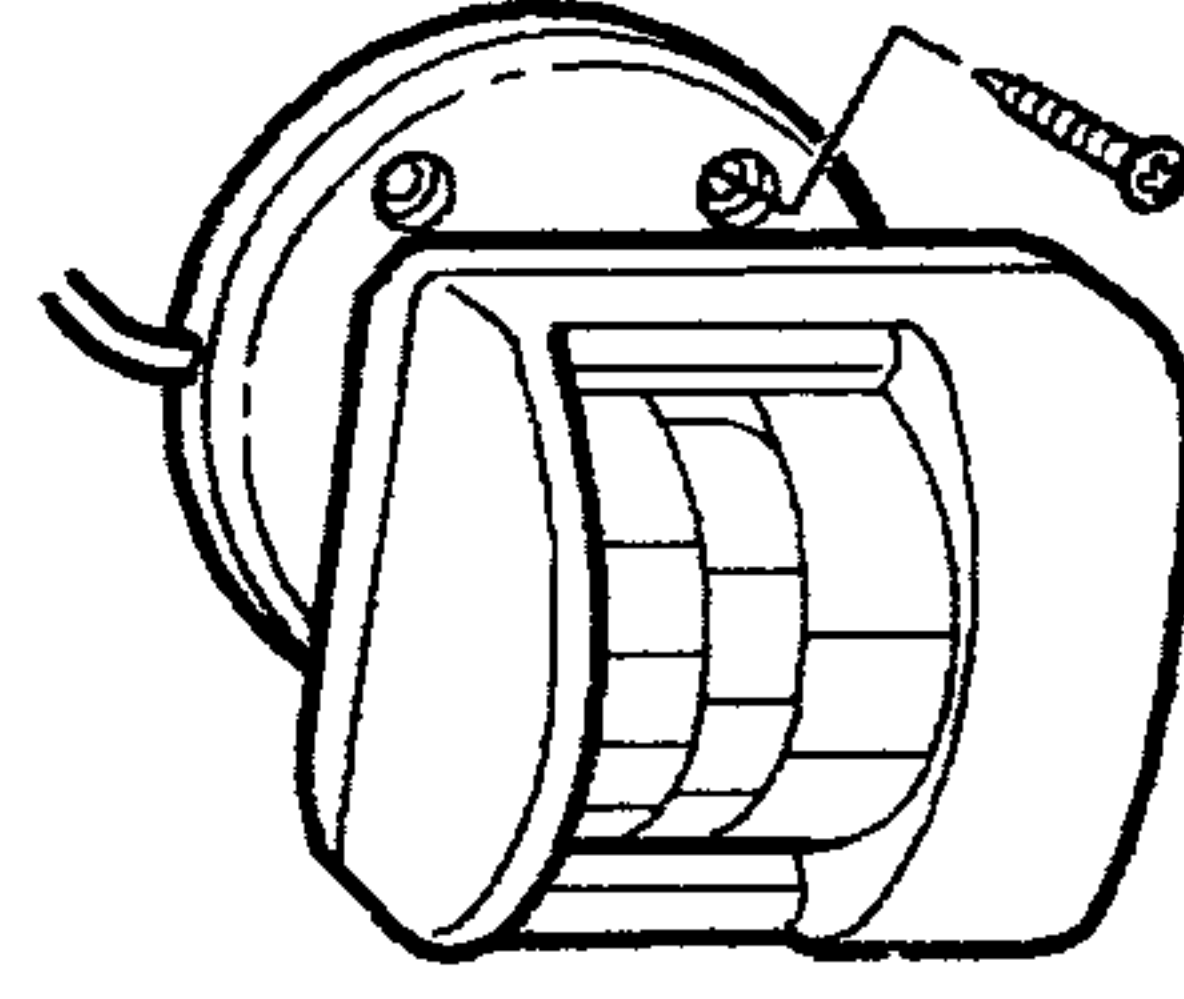


Fig. 4 PIR Sensor

INSTALLATION / MAGNETIC CONTACTS

DO NOT locate the PIR above or directly facing a heat source (i.e. radiator or the sun) as heat may trigger a false alarm.

Step 6. Run the pre-wired cables from the PIR to the control panel and simply connect the cable into the inlet socket marked Zone 1. Repeat procedure for the other PIR and connect into the socket marked Zone 2.

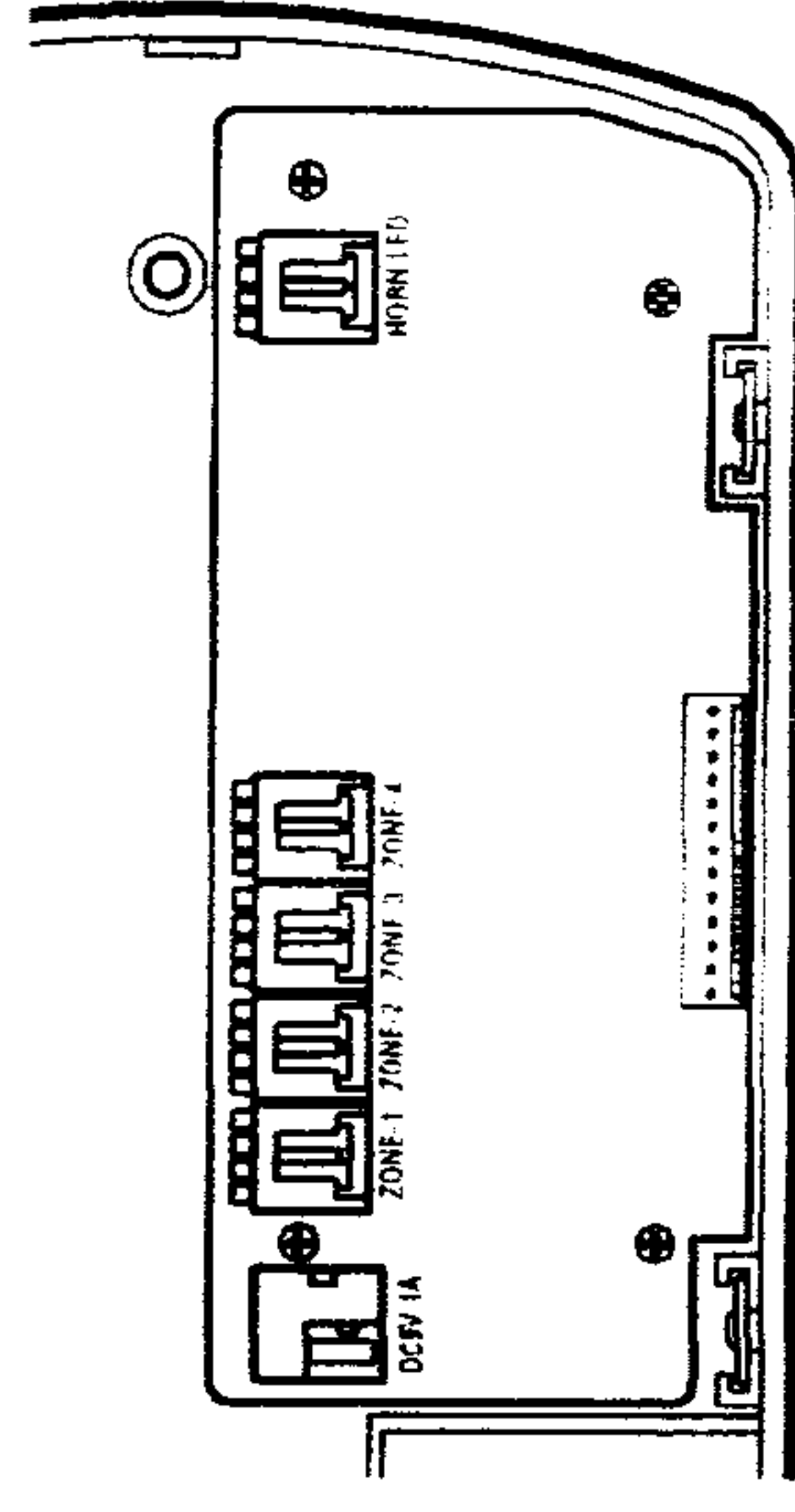


Fig. 5 Control panel connections

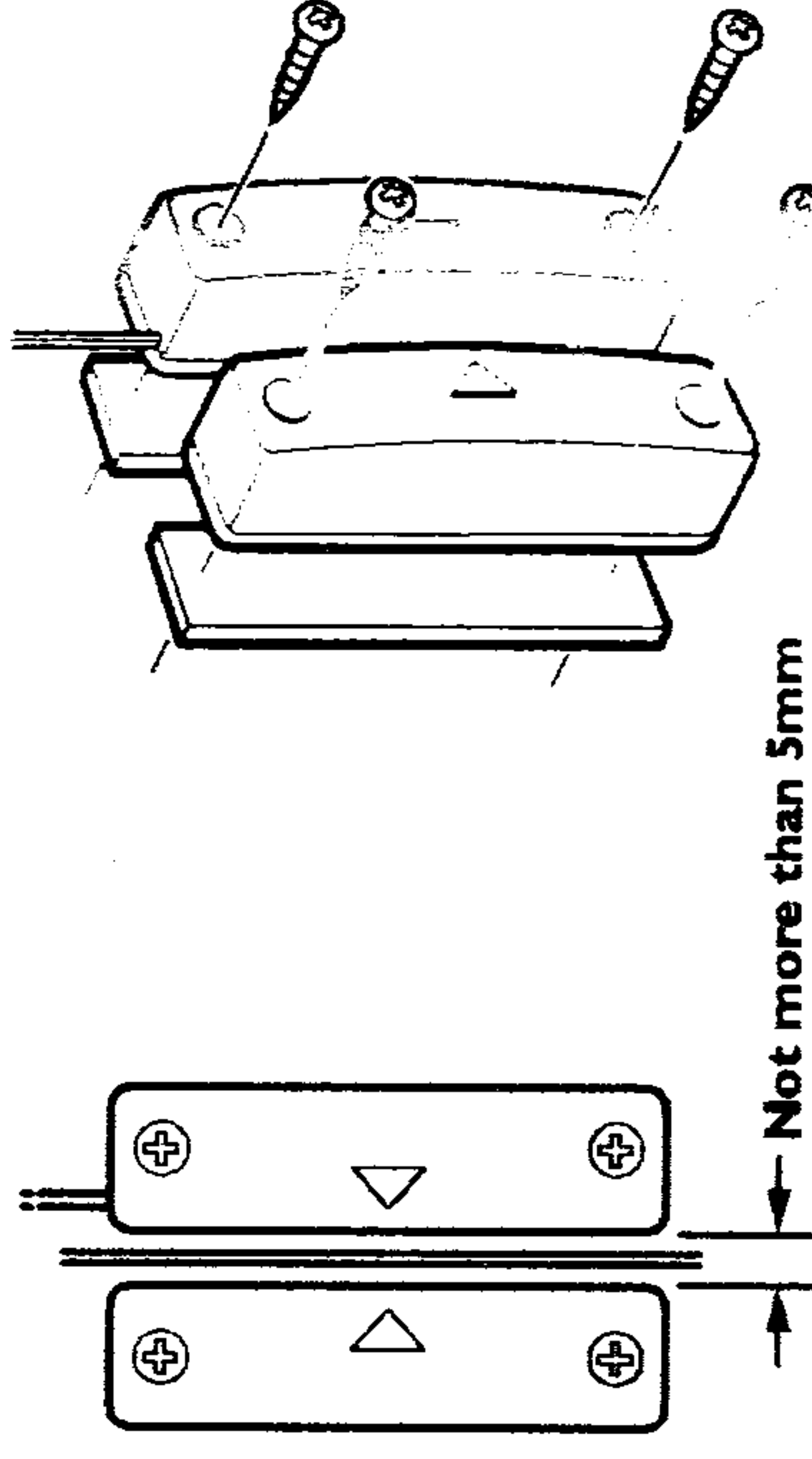


Fig. 6 Magnetic contacts

FITTING THE MAGNETIC CONTACTS

If you want the alarm to sound when a specific door or window is opened, you should fit the two-part contacts as follows:

Step 7. The magnetic half of the contact is the half without a cable fitted. This half should be fitted to the moveable part of the door or window.

The wired half should be fitted to the fixed part of the door (threshold) or window directly along side the magnetic part allowing a space of not more than 5mm between the two halves. Attach the magnetic contacts using the self adhesive pad (supplied) or 8mm screws.

Step 8. Run the pre-wired cable from the magnetic contact to the control panel and simply connect the cable into the inlet socket marked ZONE 1. Repeat procedure for the other door contact and connect into the control panel in Zone 2.

INSTALLATION / SIREN & BELL BOX

FITTING THE EXTERNAL SIREN/BELL BOX

The siren/bell box should be placed high enough on an outside wall to be out of easy reach but be highly visible to deter would-be intruders. The cable should come through the wall or run through a soffit in the roof. Carefully plan the cable route before you start - you have been supplied with 10 metres of cable.

Step 9. Decide where you want your external siren and box. Remove the two securing screws (1) from the mounting bracket attached to the siren and LED. Using the mounting bracket as a template, mark and drill two holes in the wall to a depth of 20 mm and fit the bracket to the surface using the two 4 mm screws (2) supplied and suitable wall plugs. Once you are happy that the bracket is level, tighten the screws fully.

Step 10. Re-attach the siren to the mounting bracket.

Step 11. Connect your 10 metre siren cable to the siren cable connector. If you have not done so already, run the cable from the siren to an external wall by the most suitable route to the control panel. At the control panel, run the cable into the socket marked LED & LED.

Step 12. Return to the outside wall and hold the bell box directly over the siren. Ensuring that the length of cable from the LED can allow for its final position inside the bell box, mark off the position on the wall for the two bell box holding screws.

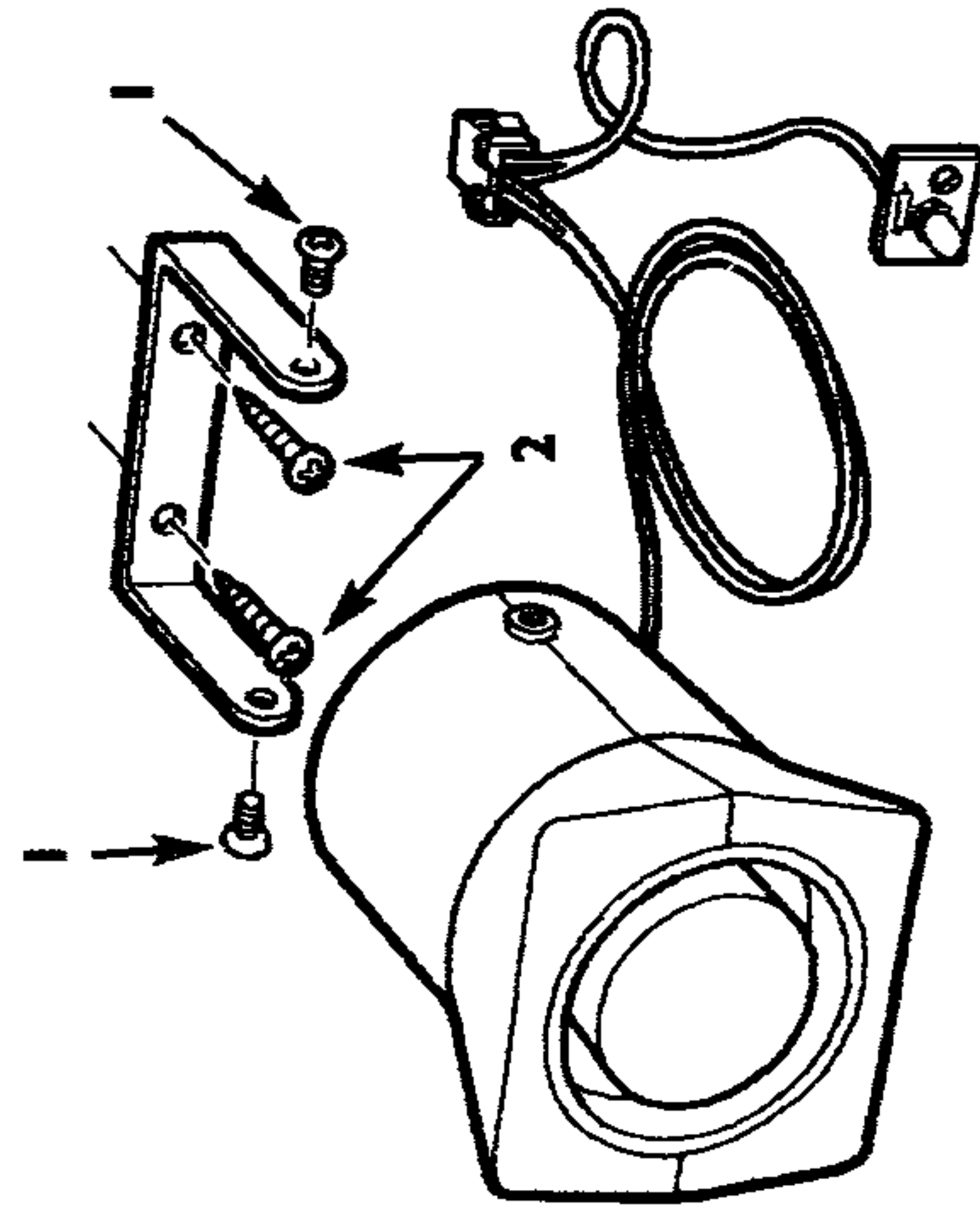


Fig. 7 Siren installation

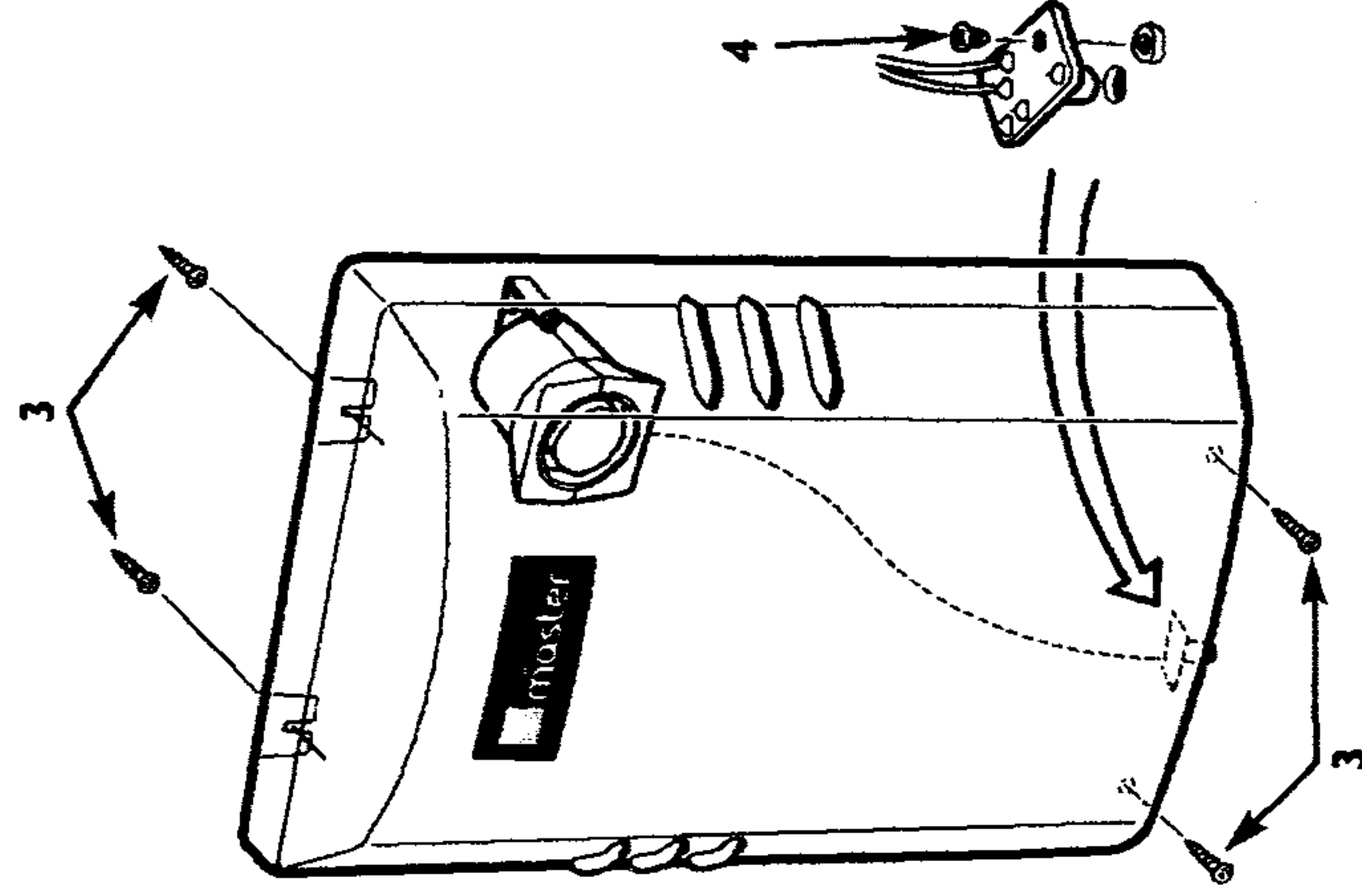


Fig. 8 Bell box installation

TESTING THE SYSTEM

(The bell box will slide down onto these screws and two more screws at the bottom will tighten it to the wall). Remove the bell box and drill your two holes to a depth of 20 mm. Insert wall plugs and screws (3). Tighten screws until just the heads protrude enough to allow the bell box to slide on and off.

Step 13. Mark the drill hole positions for the two bottom screws, remove the bell box and drill the holes to a depth of 20 mm.

IMPORTANT NOTE:

At this point you must insert the LED (light bulb) into the hole at the bottom of the bell box. The LED must be held in place with the 4 mm screw supplied (4). Do not over-tighten. Attach the bell box and secure it to the wall using the 20 mm screws supplied (3). Insert wall plugs & screws (3).

Safety Note

As you are likely to be up a ladder, please take particular care not to over-balance when attaching the various parts to the bell box and the siren to the wall.

CONNECTING THE MAINS ADAPTOR

Step 14. Push fit the mains adaptor jack plug into the receiving socket on the pair of back plate (see Fig 5). Run the mains adaptor cable to the AC socket (electricity source) and plug in the mains adaptor.

TESTING THE SYSTEM

Important: You must ensure there are no people or animals in the PIR sensors detection field before carrying out this walk in test.

Testing the PIR Sensors

Step 15. Connect the circuit board socket(2)(see Fig 5) at the control panel back plate. Make sure you do not pinch or trap wires, re-fit the control panel to the back plate, securing with the 2 screws (3).

The POWER LED on the control panel (see Fig 6) will light up when on. You should now replace the control panel cover fixing it to the back plate with the two plastic screws removed earlier.

TESTING THE SYSTEM

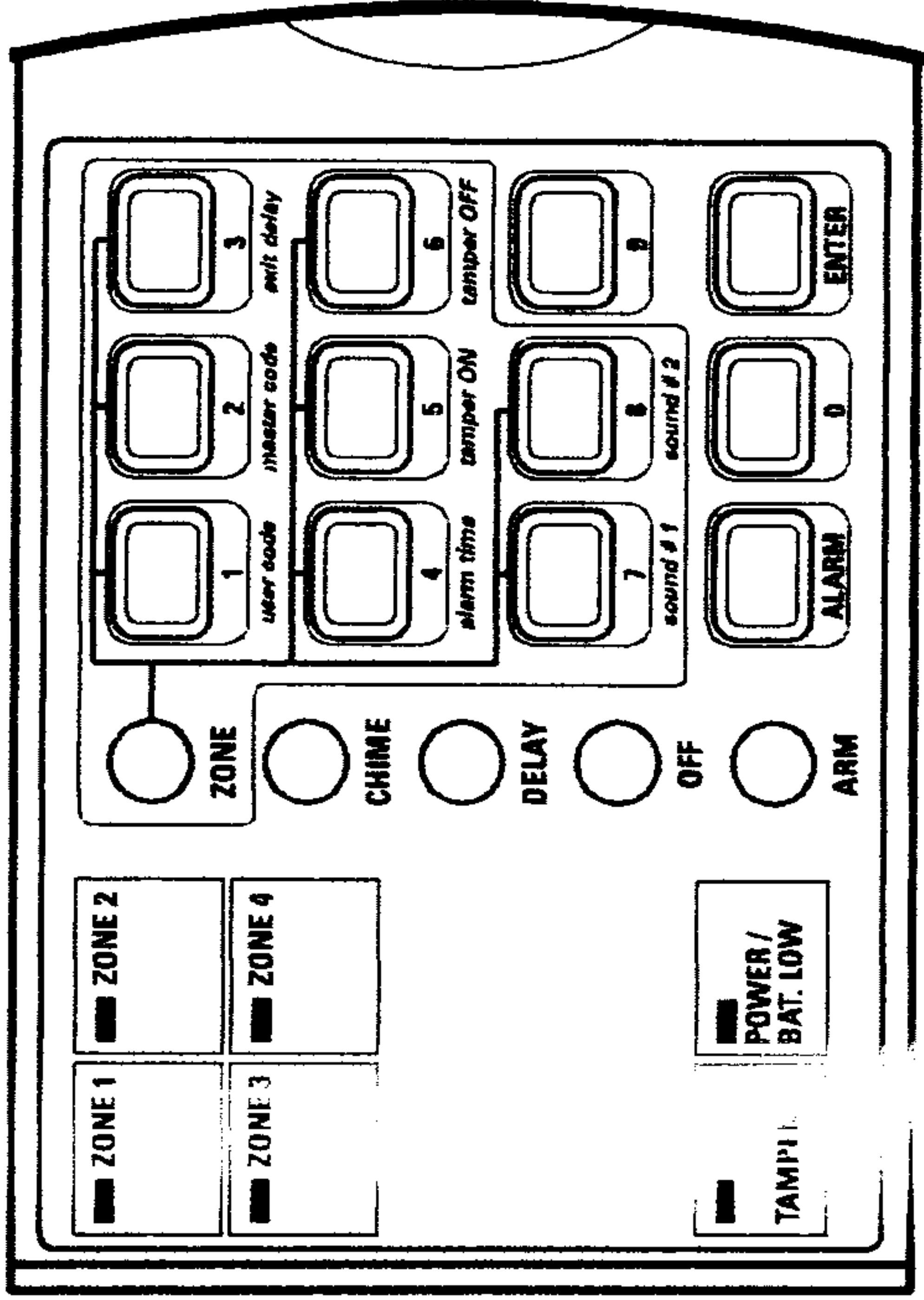


Fig. 9 Control Panel

Step 16.

Please ensure all windows/doors fitted with contacts are closed.

- Enter the master code: 2222. *press ENTER*
- Press the 'ZONE' button.
- Type in '0'.
- Now press chime button 'ENTER'.

Wait for 2-3 minutes. Walk in to each room or across each area in turn covering the sensor. You should see that the red LED (light) of the sensor would illuminate. The control panel will sound and the 'ZONE' indicator LED will flash. You can repeat this process as many times as you wish, altering the PIR's position until you are happy with the detection area covered.

Step 17. Note: If the PIR sensor does not work correctly, check all connections. If the LED at the control panel does not come on or make a sound, check the connections at the control panel carefully.

Testing the Main Contacts

Step 18. As you have already selected all zones to chime in step 16, you can now continue and test the main contacts.

TESTING THE SYSTEM

Step 19. Open and close each door/window fitted with a contact, in turn. The control panel will sound and the 'ZONE' indicator LED at the control panel will light up.

Step 20. Note: If the magnetic contacts do not work correctly, check all connections at the control panel carefully.

IMPORTANT NOTE:

To reset the zones and disable the chime.

- Enter the master code 2222, then press 'ENTER'.
- Press the 'ZONE' button and the No. of the zone you want off e.g. 01, 02 etc.
- Press 'DELAY' followed by entry/exit code from the table on page 12.
- Now press 'ENTER'. The chime will now be turned off on this zone..

Testing the Panic Alarm

Note: Be ready to switch the loud alarm off immediately by pressing the user code 1-2-3-4. *press ENTER*

Step 21. Press the red 'ALARM' button. The built-in speaker and the external siren should both sound immediately. Press 1-2-3-4 to turn alarm off.

PROGRAMMING PROCEDURES

Before continuing please read the following important notes.

Time out: During a keypad entry sequence, if a button is not pressed within 10 seconds it will revert back to original code.

Keypad alarm: At any stage if the wrong password (either a zone code or master code) is entered 3 times the alarm will sound after the preset alarm time. After the alarm has rung for its preset time it will automatically switch off. The alarm will then go back to its factory settings.

Low battery detection: If the battery level becomes low the alarm will sound every 30 seconds and the power LED will keep on flashing.

Exit delay beep: During the exit delay, the internal speaker will beep every second. At the last 13 seconds of exit delay, the beep rate will be doubled to remind the user. At the last 3 seconds it will change to a long beep.

Master code: The master code is for use with any functions of the alarm including programming functions and also arming and disarming the alarm.

User code: The user code is only for use in arming and disarming the alarm.

The reason for having 2 different codes is so that, if you should have other people in the house, you can arm and disarm your alarm without being able to change any of the programming functions of your alarm.

PROGRAMMING PROCEDURES

1) SETTING THE USER CODE

- Enter the master code, which is factory set to 2222, then press 'ENTER'
- Press the No. 1 key and enter your new 4 digit user code
- Press 'ENTER'
- The new user code will now be set

2) SETTING THE MASTER CODE

- Enter the master code, which is factory set to 2222, then press 'ENTER'
- Press the No. 2 key and enter your new 4 digit master code
- Press 'ENTER'
- The new master code will now be set

3) SETTING THE EXIT DELAY

- Enter the master code, then press 'ENTER'
- Press the No. 3 key and enter your new exit delay time from the table
- Press 'ENTER'
- The new exit code will now be set

4) SETTING THE ENTRY DELAY

- Enter the master code, then press 'ENTER'
- Press 'ZONE', then press 'ENTER'
- Press 'DELAY'
- Now enter the entry delay code from the table below

Entry/Exit Delay Alarm Siren Shut Off Codes

Code 01	60 seconds delay	Code 02	60 seconds delay
Code 03	2 minutes delay	Code 04	2 minutes delay
Code 05	3 minutes delay	Code 06	3 minutes delay
Code 07	4 minutes delay	Code 08	4 minutes delay
Code 09	5 minutes delay	Code 10	5 minutes delay
Code 11	6 minutes delay	Code 12	6 minutes delay
Code 13	7 minutes delay	Code 14	7 minutes delay
Code 15	8 minutes delay	Code 16	8 minutes delay

The code range is 01 to 40. Each code has a further 30-second increment.

5) SETTING THE

- Enter the master code, then press 'ENTER'
- Press the No. 4 key and enter your new alarm time from the above table.
- Press 'ENTER'
- The time the alarm will now be set. (Please ensure that a shut off time is set as the default time is for the alarm to ring continuously)

ARM SIREN SHUT OFF TIME

then press 'ENTER'

and enter your new alarm time from the above table.

The time the alarm will now be set. (Please ensure that a shut off time is set as the default time is for the alarm to ring continuously)

PROGRAMMING PROCEDURES

6) SETTING THE TAMPER SWITCH ON

- Enter the master code then press 'ENTER'
- Press the No. 5 key and then press 'ENTER'
- The tamper switch will now be set

7) SETTING THE TAMPER SWITCH OFF

- Enter the master code then press 'ENTER'
- Press the No. 6 key and then press 'ENTER'
- The tamper switch will now be off

8) SETTING THE ALARM SOUND TO SIREN SOUND

- Enter the master code then press 'ENTER'
- Press the No. 7 key and then press 'ENTER'
- The alarm will now be set on the siren sound

9) SETTING THE ALARM SOUND TO FIRE ENGINE SOUND

- Enter the master code then press 'ENTER'
- Press the No. 8 key and then press 'ENTER'
- The alarm will now be set on the fire engine sound

10) SETTING INDIVIDUAL ZONES

Setting the entry delay

- Enter the master code then press 'ENTER'
- Press the 'ZONE' button
- Now type in the zone you want to change e.g. 01, 02 etc
- Press the 'DELAY' button
- Now enter your new entry delay time using the codes from procedure 4
- Then press 'ENTER'
- Your individual zone will now be set to its own entry time

11) DISABLING A ZONE

- Enter the master code then press 'ENTER'
- Press the 'ZONE' button
- Now type in the zone you want to turn off e.g. 01, 02 etc (if you require all zones press '0')
- Press the 'OFF' button, then the 'ENTER' button

Note: When an entry delay is set on an individual zone the alarm will automatically enable the zone again.

PROGRAMMING PROCEDURES

12) SETTING THE CHIME

NOTE: The chime function can be used when you are in the house; it is an added safety feature.

Example: When you are in the house you can have the chime set on the backdoor, so if you are answering your front door you will know if anyone has entered your property through the backdoor, the sensor will make an audible sound.

If a zone is set to the chime function it will sound with an audible chime. **The chime does not activate the alarm.**

When you arm the system and leave the house, if a particular zone is still in chime mode, when triggered, that zone will still sound with the chime noise and will not activate the alarm. Therefore if you require all zones to be set make sure all zones are set with an entry delay.

If one of the entry/exit zones are set to chime, before leaving the building the zone must be set with a delay time (procedure 4) for the alarm to be triggered.

When you have re-armed the building the relevant zones can be set back to the chime mode if desired.

- Enter the master code then press 'ENTER'
- Press the 'ZONE' button
- Now type in the zone you want to change e.g. 01, 02 etc
- Now press 'CHIME' then 'ENTER'

13) DISABLING THE CHIME

- Enter the master code then press 'ENTER'
- Press the 'ZONE' button and No. of zone you want off
- Press 'DELAY' followed by entry/exit code from procedure 4
- Now press 'END'

Note: When an entry delay is set on an individual zone, this will automatically enable the zone again.

NORMAL DAILY USE OF THE ALARM SYSTEM

- Before you arm the alarm, all zones must be cleared on the control panel. You can do this by pressing the 'ZONE' button, then the '0' button, followed by the 'OFF' button. This will clear all the zones.

PROGRAMMING PROCEDURES

Arm control panel

- Enter master code or user code
- Now press 'ARM'

Disarm control panel

- Enter master code or user code
- Now press 'ENTER'

Panic alarm

- Press 'ALARM' Button
 - Alarm will start sounding as soon as the alarm button is pressed
- To disarm read above instructions.



IMPORTANT INFORMATION
PLEASE READ BEFORE USING YOUR 4 ZONE ALARM SYSTEM

Please ensure that you note down the following amendments in your instructional booklet in the appropriate places.

Page 10. Step 16.

Please ensure that when you have entered the master code – you then press “Enter” on the control panel.

Page 11. Testing the Panic Alarm.

When you have pressed the panic alarm button, to silence it you must enter the user code, then press “Enter”.

Customer Helpline Details : 01572 723091

E-Mail : customerservice@tdbm.com